



Apollo

Diesel Self-Propelled Articulating Boom Lift

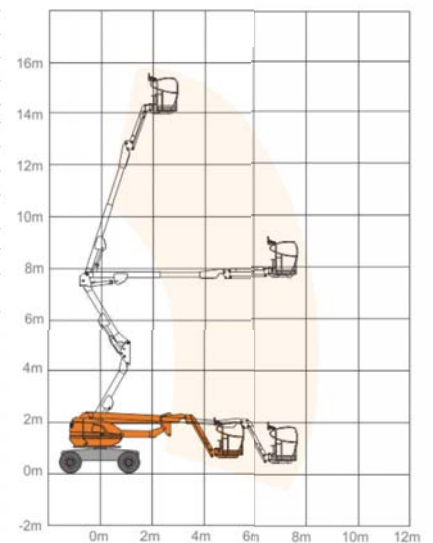
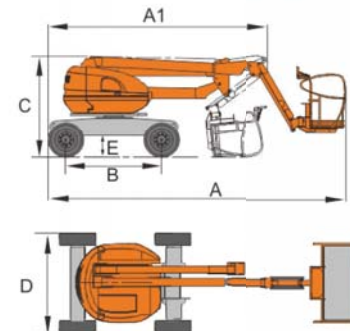


For further information on Standard Features & Options

CALL 1300 623 622



	BA14J-AWD	BA16J-AWD
S.W.L	230kg	230kg
Max. occupants	2	2
Working height	16.00m	18.00m
Platform floor height	14.00m	16.00m
Max. horizontal reach	7.47m	8.85m
Turntable tailswing	0	0
Up and over clearance	7.67m	8.45m
A Overall length	6.94m	7.59m
A Length (transport position)	5.15m	5.80m
B Overall width	2.30m	2.30m
C Overall height	2.33m	2.33m
Platform size	1.8mx0.76m	1.8mx0.76m
E Ground clearance	0.36m	0.36m
B Wheelbase	2.20m	2.20m
Turning radius		
Inside/Outside	2.85m/4.29m	2.85m/4.29m
Turret rotation	360° continuous	360° continuous
Basket rotation	160°	160°
Jib movement	+70° / -60°	+70° / -60°
Engine		
Kubota V2403-M-DI	35kw/2400 rpm	35kw/2400rpm
Travel speed Stowed	6.1km/h	6.1km/h
Raised or extended	≤1.1km/h	≤1.1km/h
Wind Rated	12.5m/s	12.5m/s
Gradeability		
4 X 4	40%	40%
Maximum slope	5°	5°
Hydraulic tank	184L	184L
Diesel tank	90L	90L
Tyres	33X12-20	33x12-20
Weight	7430kg	7835kg



* Product specifications and prices are subject to change without notice or obligation
The photographs and/or drawings in this document are for illustrative purposes only